

SOLIDWORKS TRAINING COURSES SUMMARY

Exclusive from **IRIS HIGHTECH**, SOLIDWORKS Sheet-Metal Design course has been developed to deliver the power and potential to Gain the flexibility and cost- effectively create sheet metal part designs, accelerating the design process, saving time and development costs, and increasing productivity.

Pre-Requisites

- Knowledge of SOLIDWORKS and basic mechanical engineering concepts is recommended.
- The engineer should have basic knowledge on Sheetmetal Design

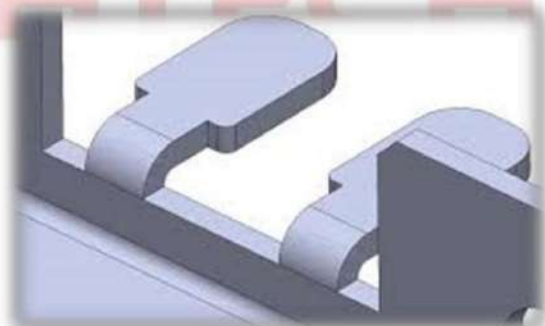
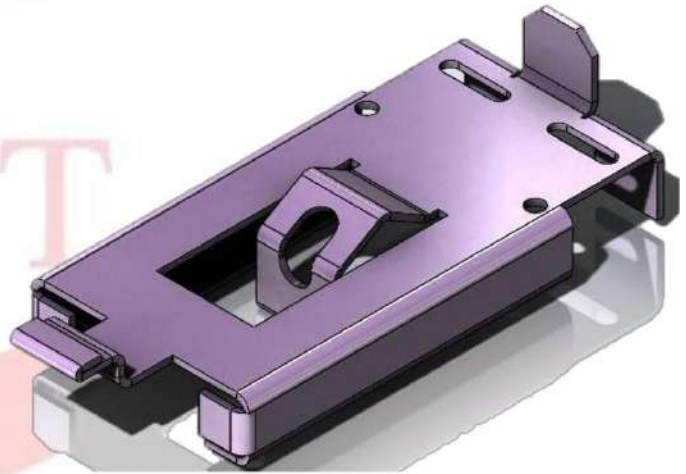
SOLIDWORKS Sheetmetal Course Details

Introduction to Mold Design.

- What is SOLIDWORKS?
- Course Design Philosophy
- About the Training
- Build Mathematical Model

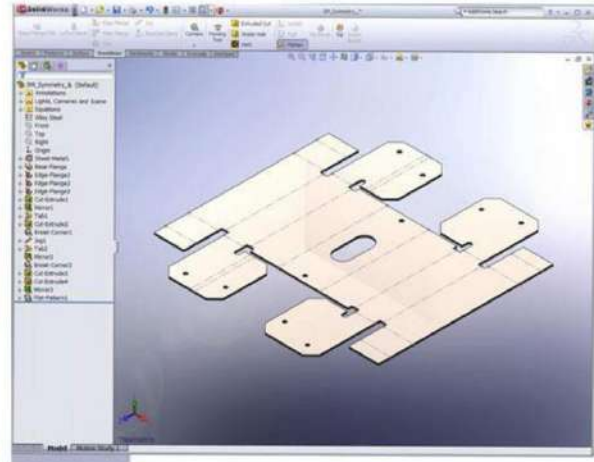
Basic Flange Features

- What are Sheet Metal Parts?
- Sheet Metal Methods
- Unique Sheet Metal Items
- Flange Method
- Base Flange/Tab
- Sheet Metal Parameters
- What is Bend Allowance?
- Editing Sheet Metal Parameters
- Sheet Metal Bend Features
- Edge Flanges.
- Editing the Flange Profile
- Flange Profile Relations
- Edge Flanges on Curved Edges
- Miter Flanges
- Hem Feature
- Tab Features



Working with the Flat Pattern

- Working with the Flat Pattern
- Flat Pattern Settings
- Features for Manufacture
- Corner-Trim Feature & Corner-Trim Settings
- Corners in the Formed State
- Closed Corner & Closed Corner Settings
- Corner Relief
- Break Corner/Corner Trim
- Flat Pattern Drawing Views
- Flat Pattern View Properties
- Drawing Document Properties
- Sheet Metal Tables

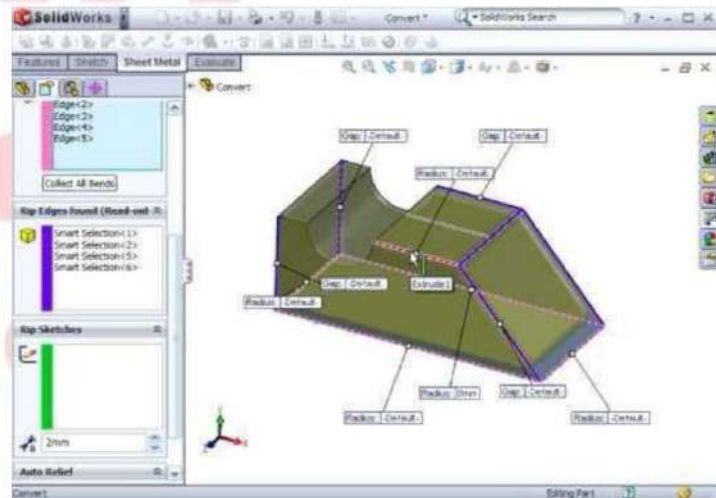


Additional Sheet Metal Techniques

- Additional Sheet Metal Methods
- Designing from the Flat
- Sketched Bend Feature
- Jog Feature
- Unfold and Fold
- Creating Cuts in the Flat Pattern.
- Swept Flange.
- Lofted Bends

Forming Tools and Gussets

- Sheet Metal Forming Tools
- How They Work
- Types of Forming Tools
- Standard Forming Tools
- The Forming Tools Folder
- Punch Tables and Punch ID
- Sheet Metal Gusset



NOTE: For More Details feel free to contact us

Ms. Shalu
training@irishightech.com
011 48175000, 9999664283