

## SOLIDWORKS TRAINING COURSES SUMMARY

SOLIDWORKS Advance course gives you all the power of SOLIDWORKS Foundation course with additional capabilities that increase productivity, ensure accuracy, and help you communicate your design information more effectively. It also provides you the productivity Enhancement tool built upon the industry best practice

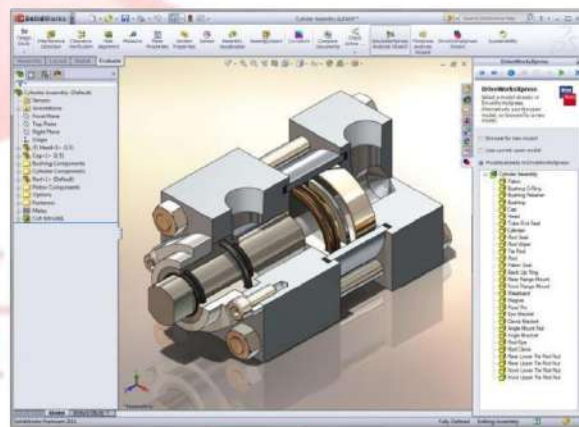
### SOLIDWORKS FOUNDATION

#### SOLIDWORKS Basics and the User Interface

- Design Intent
- File References
- Object linking & Embedding (OLE)

#### The SOLIDWORKS User Interface

- Pull-down Menus
- Command Manager Tabs
- Feature Manager Design Tree
- Shortcuts
- Options

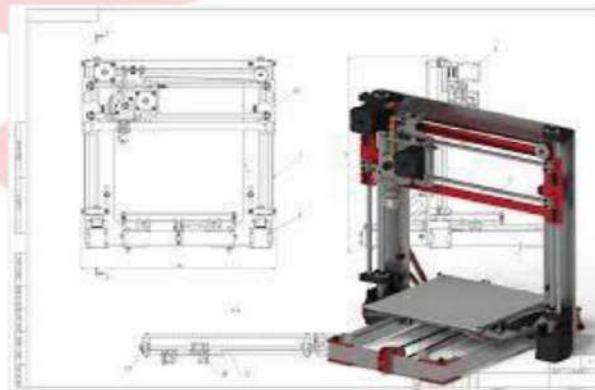


#### Introduction to Sketching

- 2D Sketching
- Stages in the Process
- Sketching
- Default Planes
- Sketch Geometry
- Status of the Sketch
- What Controls Design Intent?
- Instant 2D

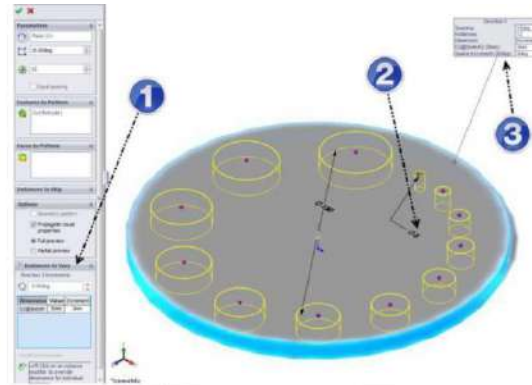
#### Basic Part Modelling

- Stages in the Process
- Choosing the best Profile
- Choosing the best Sketch Plane
- Details of the Part
- Sketching on the planar face
- Editing Tools



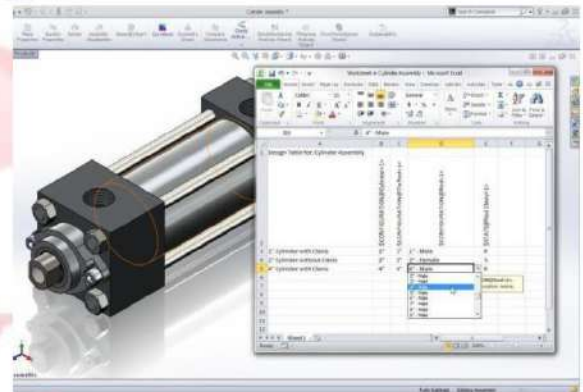
## Symmetry and Draft

- Stages in the Process
- Symmetry in the sketch
- View Options
- Using Model Edges in a Sketch
- Creating Trimmed Sketch Geometry
- Patterning
- Patterning a Solid Body
- Up to Reference



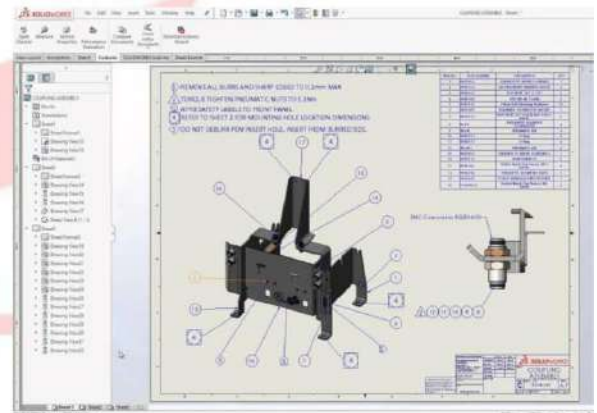
## SOLIDWORKS Advance Topics

- Revolved Features
- Shelling and Ribs
- Editing: Repairs
- Editing: Design Changes
- Configurations
- Bottom-Up Assembly Modelling
- Using Assemblies



## SOLIDWORKS Drawings

- Drawing Sheets and Views
- Dimensions
- Sheet Formats and Templates
- Assembly Drawing Views
- Bill of Materials and Tables
- Performance and Display Issues
- Drawing References and Comparison



## SOLIDWORKS Advance

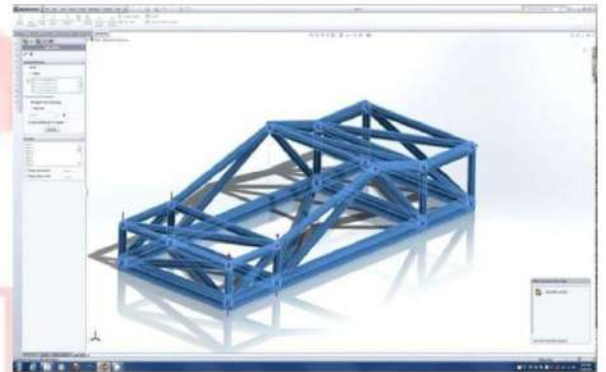
### SOLIDWORKS Drawings

- Design and Process of Sheetmetal Industries
- Weldments Technologies
- Introduction to Mould Tools
- Surface Options



### Productivity Enhancement Tools

- Multi-Body Concept
- Top-Down Design Approach
- Layout Design
- Introduction to costing Tool
- Reverse Engineering method (3DScanning)
- Tolerance Stack-up Analysis
- Advanced Photorealistic Rendering

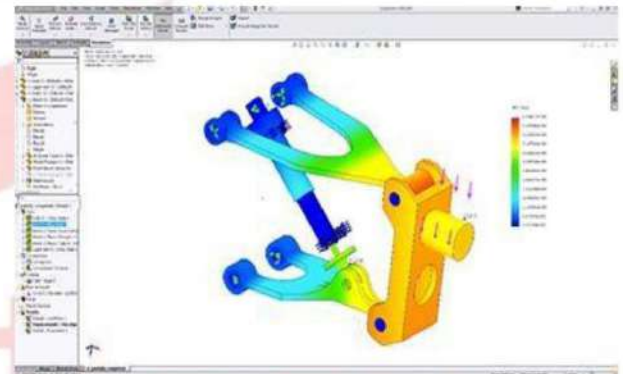


### SOLIDWORKS Software Customization Tools

- Library Tool creation
- Option on centralize Library
- Software Customization
- Template Customization

### Introduction to Analysis

- Introduction to FEA & Simulation.
- Introduction to Material Library
- Study on Leaner Static Analysis
- Basic Motion Study



**NOTE: For More Details feel free to contact us**

Ms. Shalu  
training@irishightech.com  
011 48175000, 9999664283