

SOLIDWORKS TRAINING COURSES SUMMARY

Exclusive from **IRIS HIGHTECH**, SOLIDWORKS Foundations course has been developed to deliver the power and potential of SOLIDWORKS through a structured program built upon the industry best practice. Let us support you to achieve the ultimate in design efficiency, productivity and innovation in the quickest time possible. This program will teach you how to use SOLIDWORKS mechanical design software to build parametric models of parts and assemblies, and how to make drawings of those parts and assemblies.

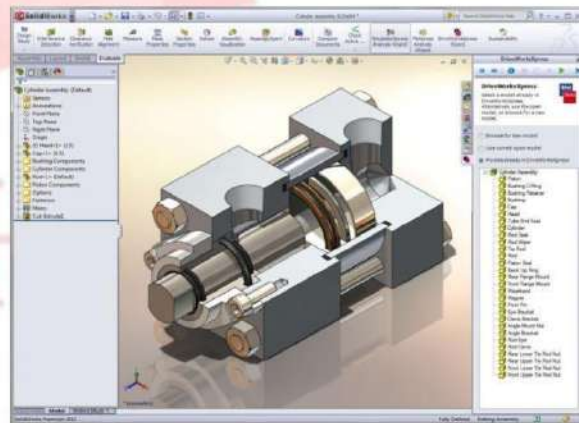
SOLIDWORKS FOUNDATION

SOLIDWORKS Basics and the User Interface

- Design Intent
- File References
- Object linking & Embedding (OLE)

The SOLIDWORKS User Interface

- Pull-down Menus
- Command Manager Tabs
- Feature Manager Design Tree
- Shortcuts
- Options

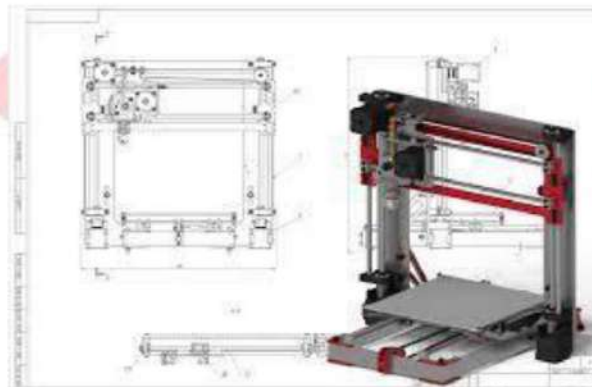


Introduction to Sketching

- 2D Sketching
- Stages in the Process
- Sketching
- Default Planes
- Sketch Geometry
- Status of the Sketch
- What Controls Design Intent?
- Instant 2D

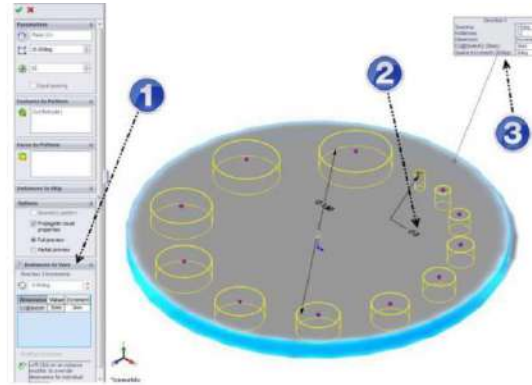
Basic Part Modelling

- Stages in the Process
- Choosing the best Profile
- Choosing the best Sketch Plane
- Details of the Part
- Sketching on the planar face
- Editing Tools



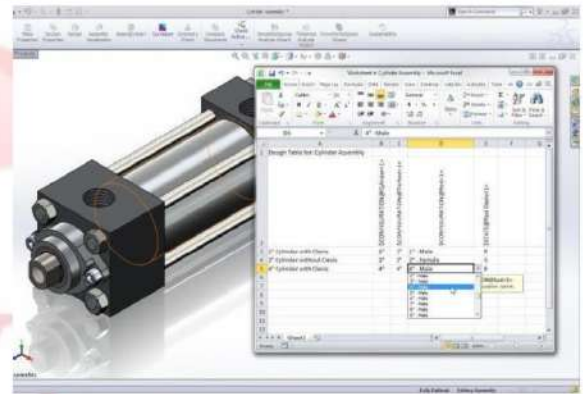
Symmetry and Draft

- Stages in the Process
- Symmetry in the sketch
- View Options
- Using Model Edges in a Sketch
- Creating Trimmed Sketch Geometry
- Patterning
- Patterning a Solid Body
- Up to Reference



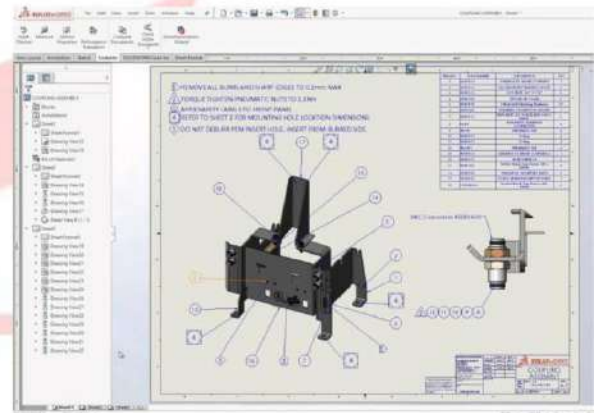
SOLIDWORKS Advance Topics

- Revolved Features
- Shelling and Ribs
- Editing: Repairs
- Editing: Design Changes
- Configurations
- Bottom-Up Assembly Modelling
- Using Assemblies



SOLIDWORKS Drawings

- Drawing Sheets and Views
- Dimensions
- Sheet Formats and Templates
- Assembly Drawing Views
- Bill of Materials and Tables
- Performance and Display Issues
- Drawing References and Comparison



NOTE: For More Details feel free to contact us

Ms. Shalu
training@irishightech.com
011 48175000, 9999664283